



LUNASEW

FND/FNC Series

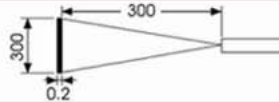
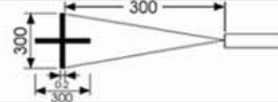


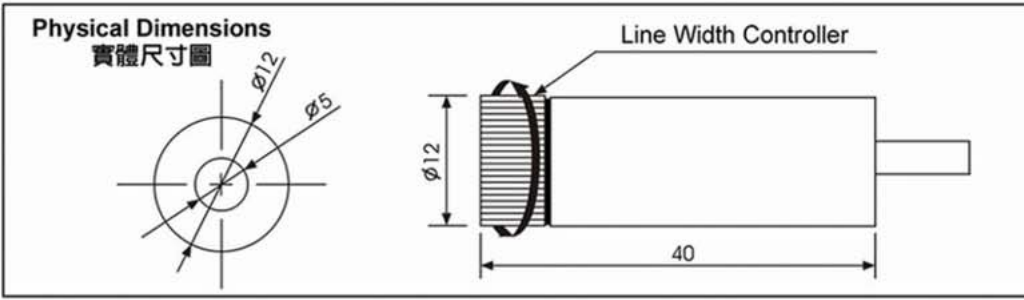
Waterproof

Line Generator

LASER DIODE MODULE

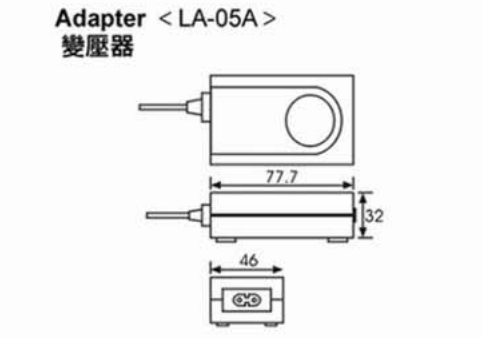
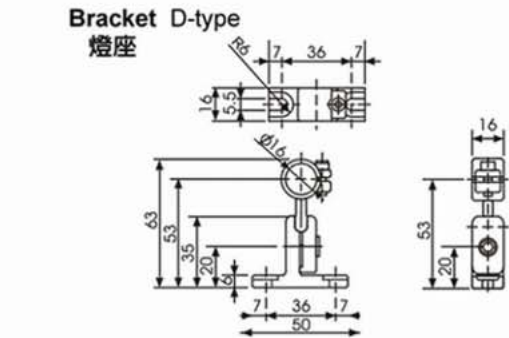
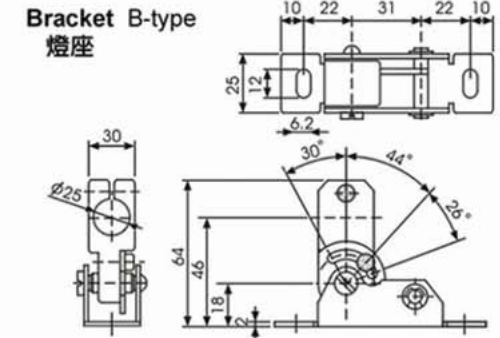
SPECIFICATION: FND, FNC Series (Line Generator)

MODEL / 型號	FND	FNC
Beam Size / 光束型式		
Wavelength / 波長	635, 650nm	
Output Power / 輸出功率	~2.5mW	
Class / 鐳射燈種	Class 1M(IEC 60825-1), Class 3a(FDA / CDRH)	
Operating Current / 工作電流	~60mA	
Operating Voltage / 工作電壓	5V	
Operating Temperature / 工作溫度	-10° ~ 50°C	
Line Thickness / 光線寬度	Adjustable (<0.2mm by user) / 光線可調	
Projection Angle / 投射角度	5°, 45°, 90° or custom made	
Working Distance / 工作距離	100 ~ 1500mm	
Life Time / 使用壽命	15,000 Hours (@RT)	
Dimension (mm) / 燈體尺寸	ø12 X 40	
Ground / 接地保護	Case Positive or Case Ground	
Housing Material / 燈體材質	Aluminum / 鋁合金	
Feature / 特點	Waterproof / 防水	



Line Length by distance / 距離光線比對表

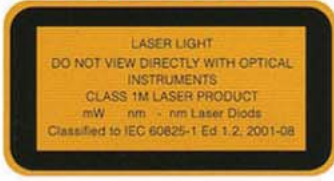
mm	5°	45°	90°
100	9	8	20
300	27	25	60
500	44	41	100
1000	88	83	200
1500	132	124	300



Special Features / 特點

- Adjustable Line Thickness for Precision (<0.2mm)
- Rugged, Shock, Vibration and Water Resistant Design
- Projection Angle : 5°, 45°, 90° or Custom Made Possible
- More Accurate Straight Line
- More High Quality Beam

● FDA CDRH and IEC 60825-1 Certified



WARNING / 注意

1. Be very careful to avoid directly staring at the laser beam. It can cause serious damage to the eyesight.
2. Please use the voltage within the designated range. Avoid turning ON and OFF the Product during a short period of time since it can cause damage to the Product.
3. Laser diodes are very sensitive to the change in the temperature. Usage under low temperature is recommended for longer use.
4. Noise filter must be used when the motor solenoid is directly linked to the power. Authorization of noise or voltage surge can destroy the laser diode and lead to the lighting failure.
5. This Product is a very precise optical instrument. Be careful not to drop it. Severe shock to the Product can cause malfunction.
6. Do not disassemble, repair or rebuild the Product at your own discretion. After sales services are not available in the case of arbitrary disassembly, repair or rebuilding.



For improvement of the Product the design and specifications are subject to change without prior notice



總公司：
立欣針車實業有限公司
LUNA INDUSTRIAL CO., LTD.
台灣22061 新北市板橋區四川路2段16巷9號5樓
F5., No.9, Ln.16, Sec. 2, Sichuan Rd., Banqiao Dist.,
New Taipei City 22061., Taiwan
(LEADER INDUSTRIAL AREA)
TEL : 886-2-8966-5577 FAX : 886-2-8966-5443
E-Mail : info@lunasew.com
luna0510@ms13.hinet.net
HTTP://www.lunasew.com

服務處：
立欣(寧波)針車有限公司
LUNA (NINGBO) SEWING MACHINE CO., LTD.
中國浙江省寧波市鄞州區姜山鎮星火科技園區環鎮北路13號
No. 13 HuanZhen (N)Road, JiangShan Town
XingHuo Scientific & Technical Area
Yin Zhou District Ningbo City, China
TEL : 86-574-8845-3458 8845-3468
FAX : 86-574-8845-3478
E-Mail : lunaningbo@lunasew.com